

 **Troll-master**
Contributing to your success

Leahorse

**Downrigger
System**



Owner's Manual

We at Troll-master thank you for purchasing our product.

The Seahorse® downrigger system is designed to make controlled depth trolling easy. It enables fisherman to place bait or lures to the desired depth and maintain that depth while trolling. Seahorse® downriggers are made following a proven design that have earned its reputation for solid, dependable performance in both fresh and salt water environments and is recognized by many anglers around the world. Built with the strongest and corrosion resistant components, the Seahorse® downrigger will serve a lifetime of deep water trolling in fresh and salt water.

Offering a reliable performance for any game in varied waters, it is built to handle weather and elements.

Designed for ease of use, the drag system allows for one hand operation when lowering or stopping the downrigger weight.

The drag system lets cable pay out if the weight snags on the bottom, and for added safety, the crank handle does not turn while the weight descends. Precise depth meter mechanism allows anglers to return to the specific depth where the fish have been caught.

Backed by Troll-Master's 10 year warranty, the Seahorse® Downrigger is an ideal system for deep-water trolling.

Installation Instructions:

Seahorse® Downriggers can be installed in a variety of ways such as fixed installation, adjustable swivel installation or gimbal mount Installation. Troll-master offers a wide variety of accessories to assist with different installation methods. Please carefully select the mounting position for your downrigger and make sure that it is easily accessible for operation of the downrigger.

The top surface of the mounting base has a raised ridge on one end. The purpose is to center the downrigger directly above the backing nut so the hold-down knob can be tightened down into the base plate.

Please allow at least 4 1/2 inches of clearance between the front of the base and any obstruction such as cleats, navigation lights etc.

It is recommended that all 4 mounting screws are bolted through the mounting surface and secured with lock nuts on the other side. Please be sure that the backing nut is inserted inside the base prior to tightening the mounting nuts. Depending on the thickness and strength of the mounting surface, a backing plate or larger washers may be required. Troll-Master offers a "Deep Reach" hardware kit (Product KN-4005) in case the mounting bolts are too short for your particular application.

Operation Recommendations:

Adjust the counter cup

Adjust the counter cup so that when the downrigger ball is at water level, the counter reads zero. The Seahorse® counter system is easy to adjust - just slowly turn the cup by hand in the proper direction until it reads zero.

Inspect the cable

Closely examine the condition of your downrigger cable, especially near the swivel terminator. This is where a majority of the cable failures occur. If your cable is kinked, frayed or damaged in any way, please remove the damaged section and re-rig your cable terminator. Troll-master strongly recommends that you use wedge style cable terminators with a ball bearing snap swivel. We offer replacement Cable Terminator kit (Product AR-1040).

Lowering the trolling weight.

In order to lower the weight and lure, release the drag by slowly rotating the drag control knob counter-clockwise. When desired depth is reached, stop the descent by increasing the drag tension. Just use sufficient drag to keep the downrigger's spool from turning while trolling. If the trolling weight should snag on the bottom or some obstruction, the drag will slip and pay out the cable. This allows for stopping the boat to retrieve your equipment. Do not over-tighten the drag.

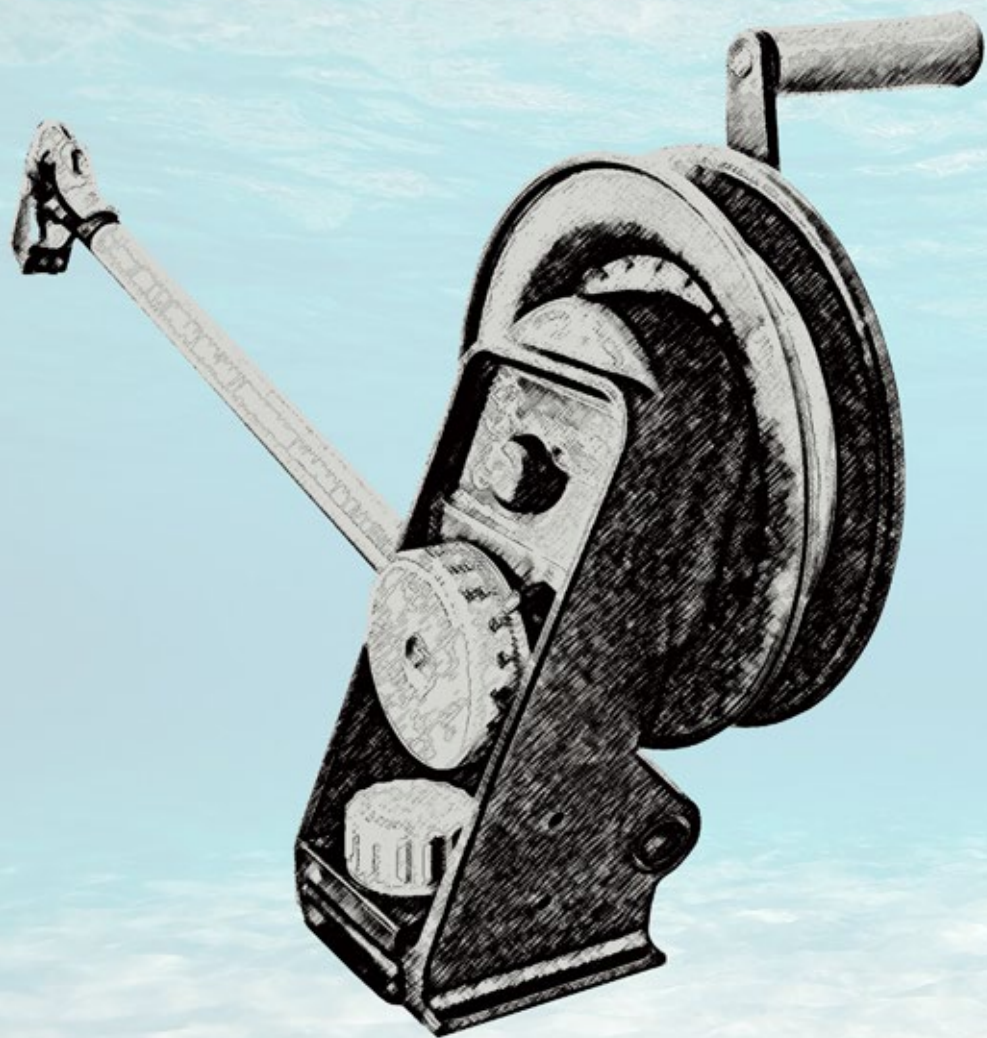
Choosing a line release

We recommend using Hydrodynamic line releases. These line releases are specifically engineered to reduce water resistance. The hydrodynamic design minimizes the turbulence allowing for natural bait / lure presentation. Lower resistance results in decreased blow-back. Troll-master offers different configurations of the releases (Product AR-1075, AR-1076, AR-1077)

Have spare accessories available

Troll-master recommends always having the spare essential accessories with you on the boat when trolling with downriggers. The spare trolling weight, line releases and Cable Terminator Hardware Kit can save the day in case of an accidental loss of equipment.

 **Troll-master**
Contributing to your success



Parts & Maintenance

DOWNRIGGER MAINTENANCE

External Maintenance

Your Seahorse® Downrigger system is constructed of the most durable materials available.

Periodic servicing will assure trouble-free operation and long product life.

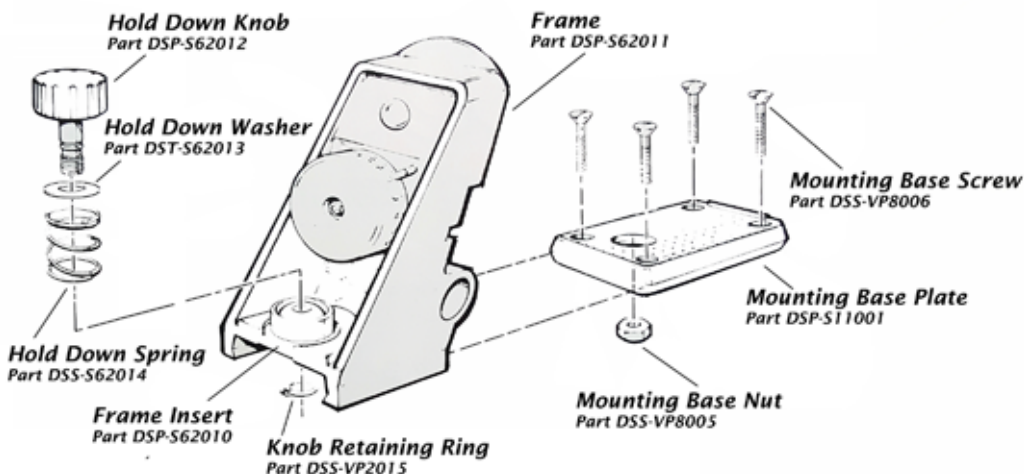
- After each day of use, especially if used in the salt water environment, the downrigger should be thoroughly washed off with fresh water. All of the exposed metal parts, boom, boom tip and especially the cable should be washed down thoroughly.
- The boom pulley and swivel assembly friction areas should be sprayed with anti-corrosion oil every few weeks.
- The threaded portion of the hold down knob should also be sprayed with anti-corrosion oil every few weeks.
- Remove boom set screws and handle knob shaft, coat the threads with water proof grease at least twice a year, before and after the fishing season.

Note: Handle knob shaft is "left-threaded". Turn clock-wise to disassemble.

Internal Lubrication

At least once a season, lubricate the inside of your Seahorse® downrigger. Use the parts diagram as a guide to remove the spool and thus gain access into the internal components.

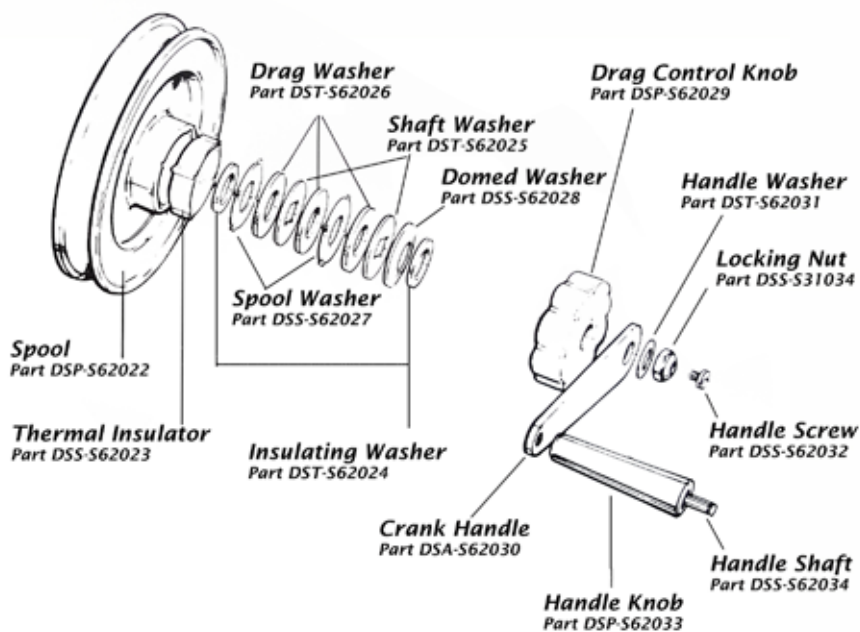
DOWNRIGGER FRAME AND MOUNTING BASE



First remove the Handle Screw, the Locking Nut and the Handle Washer. To remove the Handle assembly keep turning the Drag Control Knob until the handle is pushed off the Main Shaft.

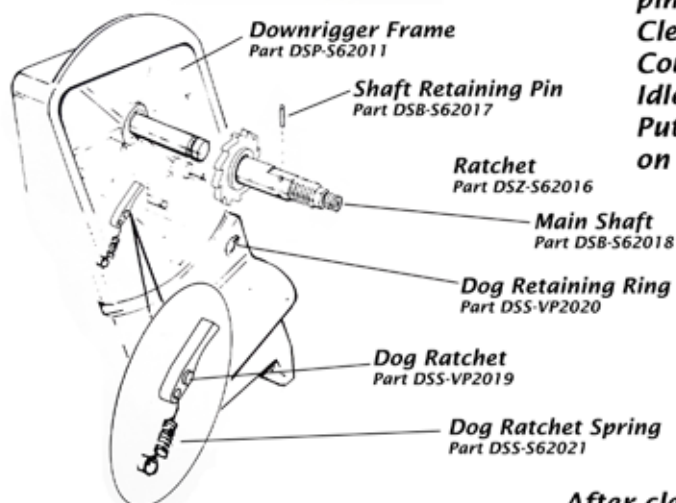
Remove the Spool on the Drag system. Remove and clean or replace the Drag Washers according to the sequence in the exploded view.

DRAG SYSTEM DIAGRAM



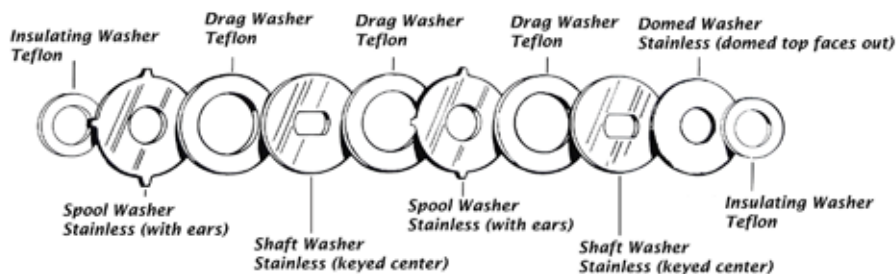
Remove the two Idler Gears by sliding off the Idler Gear Retainer Rings. This will expose the Dog Ratchet, Dog Spring, Ratchet and the Main Shaft. Clean out the old grease and re-lubricate with waterproof grease. Wipe off any old grease on the Idler Gear pins and re-lubricate. Clean and re-lubricate the Counter Gear and the Idler Gears and re-install. Put a light film of grease on the Main Shaft.

DOG RATCHET DIAGRAM

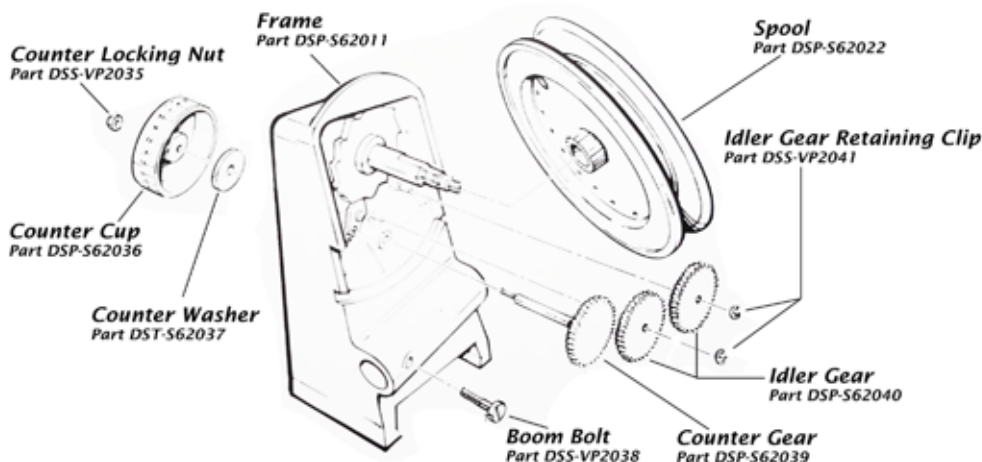


After cleaning, lubricating and reassembling the downrigger's internal components, reinstall the Spool on the Main Shaft. Be sure to follow the sequence when reinstalling the drag system components. Drag system should not be lubricated as it operates on friction principle.

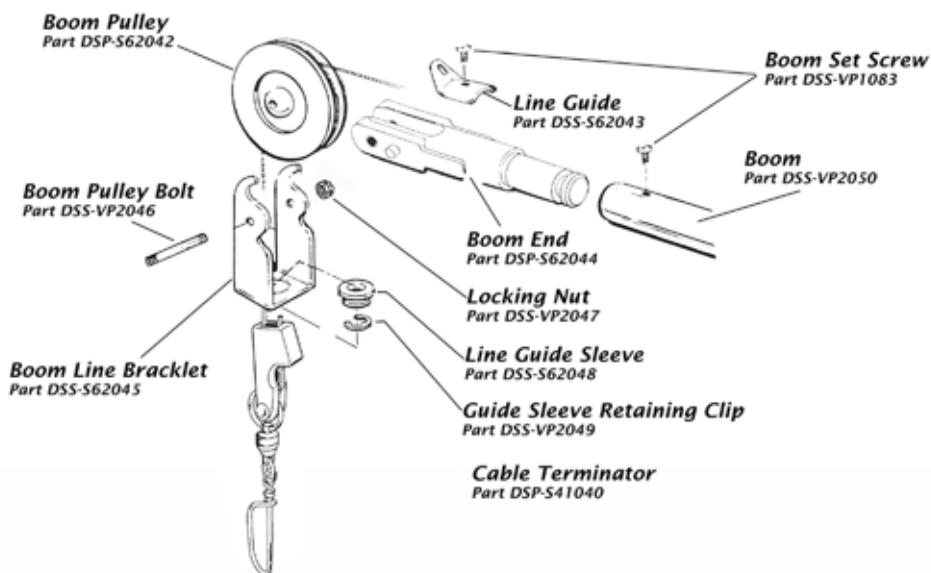
DRAG SYSTEM SEQUENCE



CABLE FOOTAGE COUNTER DIAGRAM



BOOM TIP ASSEMBLY DIAGRAM



Our Mission

Troll-Master Inc. is committed to the development and manufacturing of the high quality parts and accessories for the fishing industry.

Our goal is to deliver a good product at a competitive price while maintaining the highest quality standards.

Our Team

Troll-Master's Team consists of professional engineers, tournament winning captains, fishing enthusiasts and manufacturing experts.

Our R&D works in conjunction with real customers across the country utilizing hands on experience and cutting edge technology to design our products.

Our Products

All our products come with a 10 year manufacturer's warranty. There is no fine print, no exclusions and no limitations.

We will always stand behind our products and will gladly provide Customer Service and Technical support to our customers.

We are confident in the quality of the products, functional design and the materials used to produce them.

Warranty

Troll-master Inc warrants to the original purchaser any defect in material or workmanship for the period of 10 years since the date of the original retail purchase.

Troll Master Inc will either repair or replace the product free of charge.

